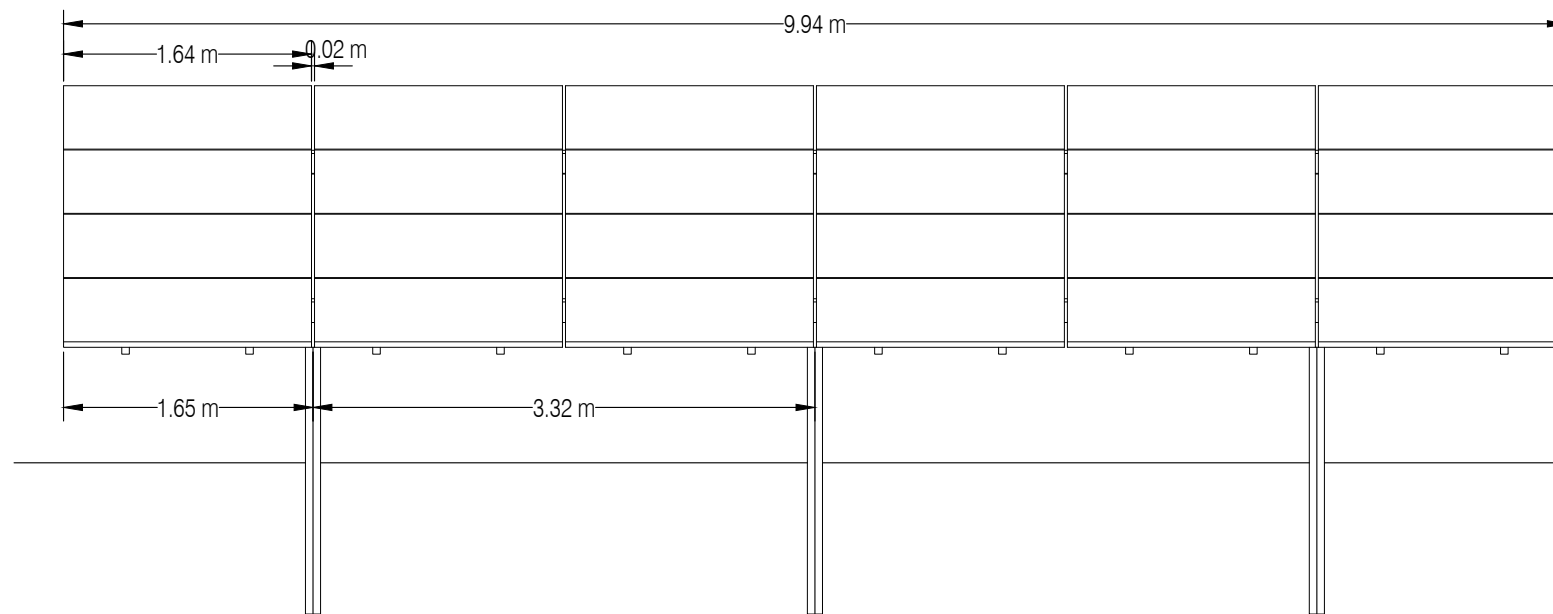


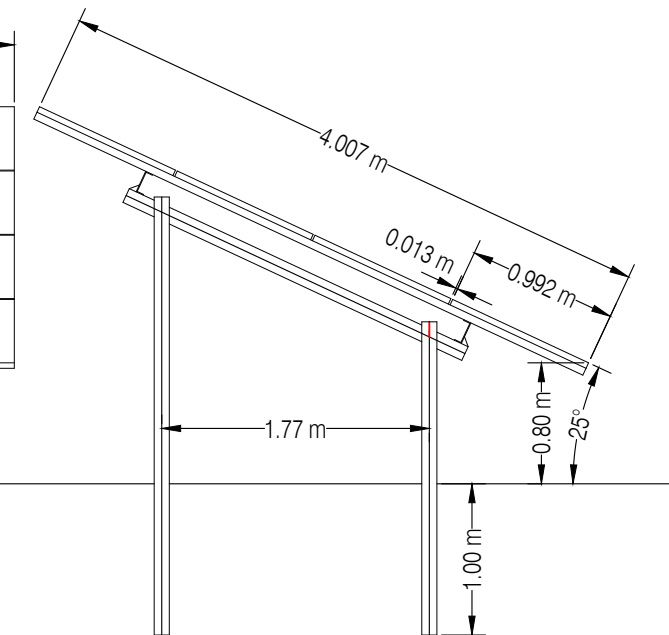
TOP VIEW

SCALE 1:50



FRONT VIEW: 6x4 MODULES

SCALE 1:50



SIDE VIEW

SCALE 1:50



05	10/11/2021	WM	Updated To Reflect Comments
04	05/10/2021	WM	Updated To Reflect Comments
03	24/08/2021	WM	Updated To Reflect Comments
Rev	Date	By	Comment

1:50
Scale @ A3



Hollandmey Renewable Energy Development
Figure 3.7:
Indicative Solar Panels and Foundations

Drg No	
Rev	05
Date	10/11/2021
Figure	3.7