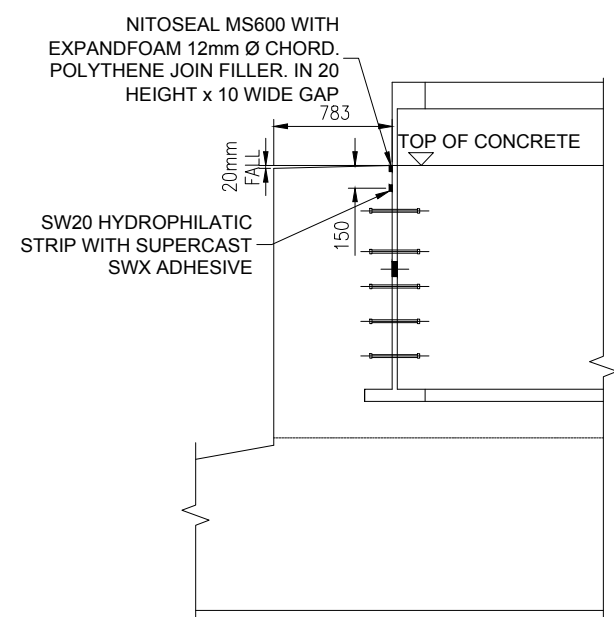
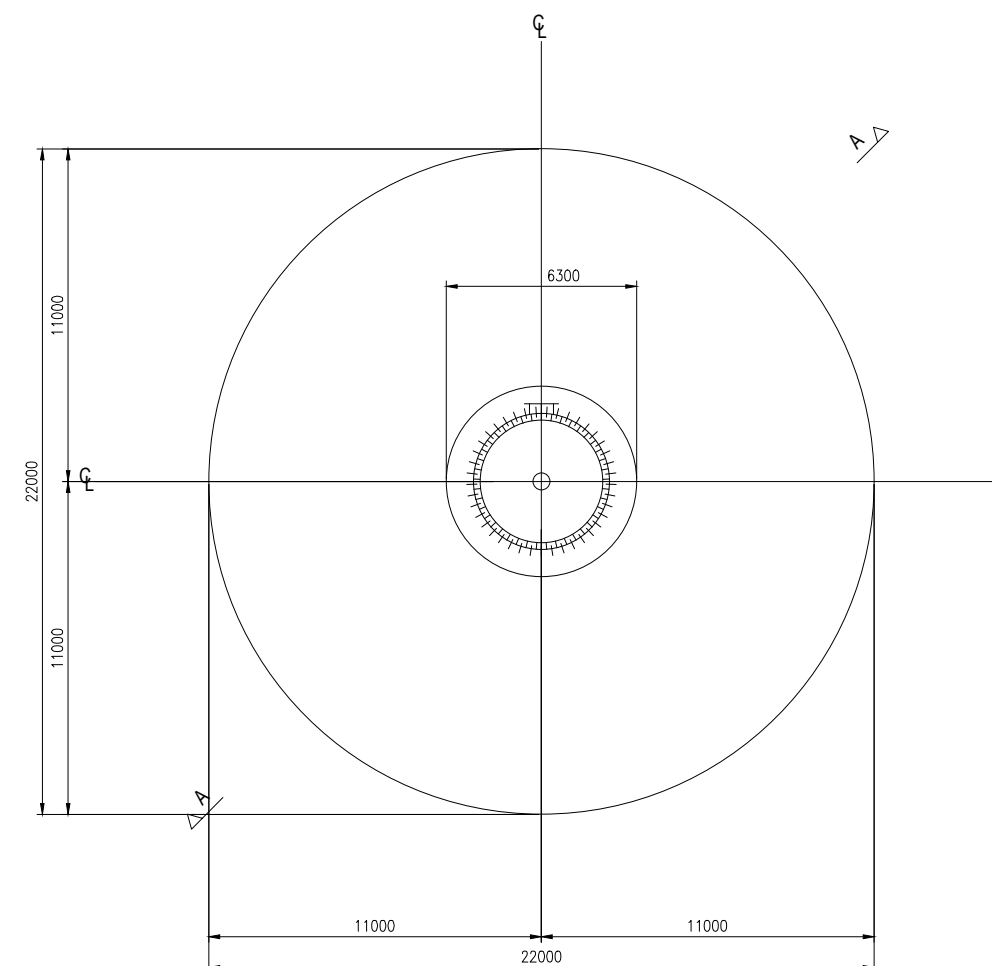


SECTION A - A
SCALE 1:100



PROPOSED DETAIL
SCALE 1:50



GENERAL PLAN
SCALE 1:250



Rev	Date	By	Comment
A	16/08/2019	RL	First Issue.

As Shown
Scale @ A3

Sheirdrim Renewable Energy Project EIAR
Chapter 3 Proposed Development
Indicative Turbine Foundation

Drg No.	00481.00051.12.3.5.0
Rev	A
Date	16/08/19
Figure	3.5