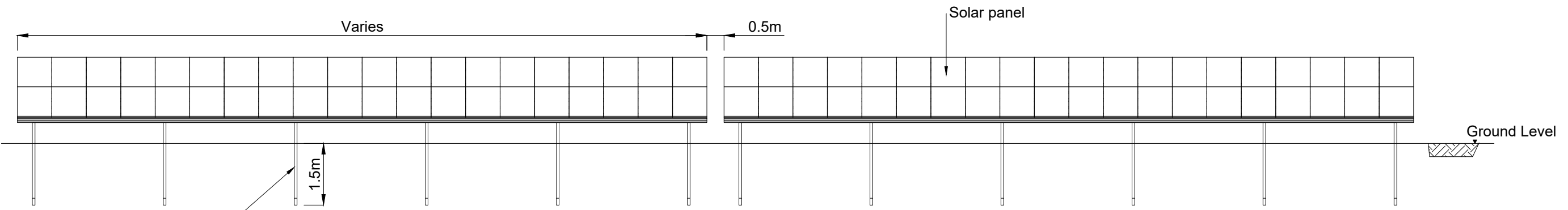


Typical Side Elevation



Typical Front Elevation



ScottishPower Renewables
 9th Floor Scottish Power Headquarters
 320 St Vincent Street
 Glasgow
 G2 5AD
 Email: info@scottishpowerrenewables.com
 Web: www.scottishpowerrenewables.com

NOTES

1. This drawing is the property of ScottishPower Renewables UK Ltd. It is a confidential document and must not be copied, used, or its contents divulged without prior written consent.
2. DO NOT SCALE FROM DRAWING.

Rev.	Date	By	Description	Chk.	App.
1	21/10/19	RB	FIRST_ISSUE	AP	DF

Designed:	Drawn:	Checked:	Approved:
RB	RB	AP	DF
OCTOBER-2019			
Scale @ A3: 1:500			
Project No: EDI_1706_EIAR			
© ScottishPower Renewables			

Project	Kilgallioch Windfarm Extension EIA Report
Title	Typical Solar Panel Elevations

Drawing Status:	Final
Drawing No:	FIGURE-4.8
Rev.	1