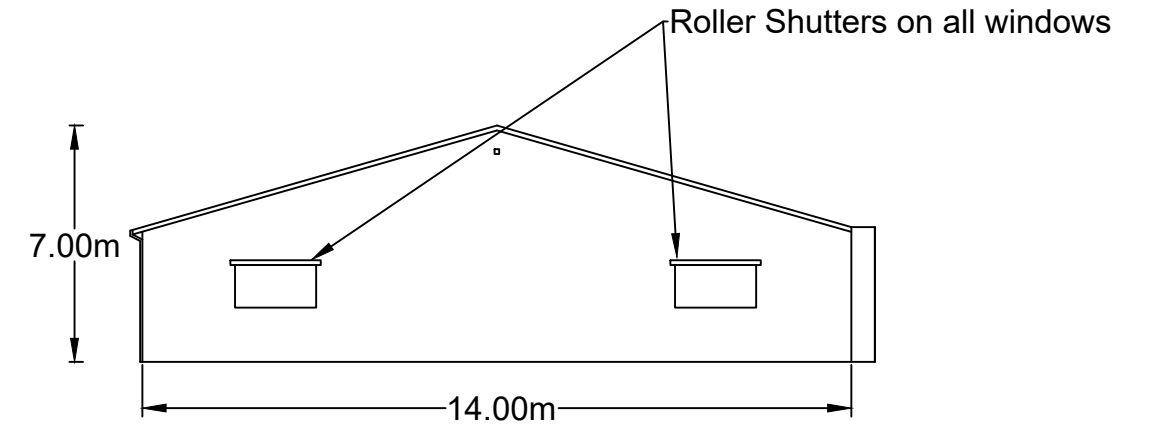
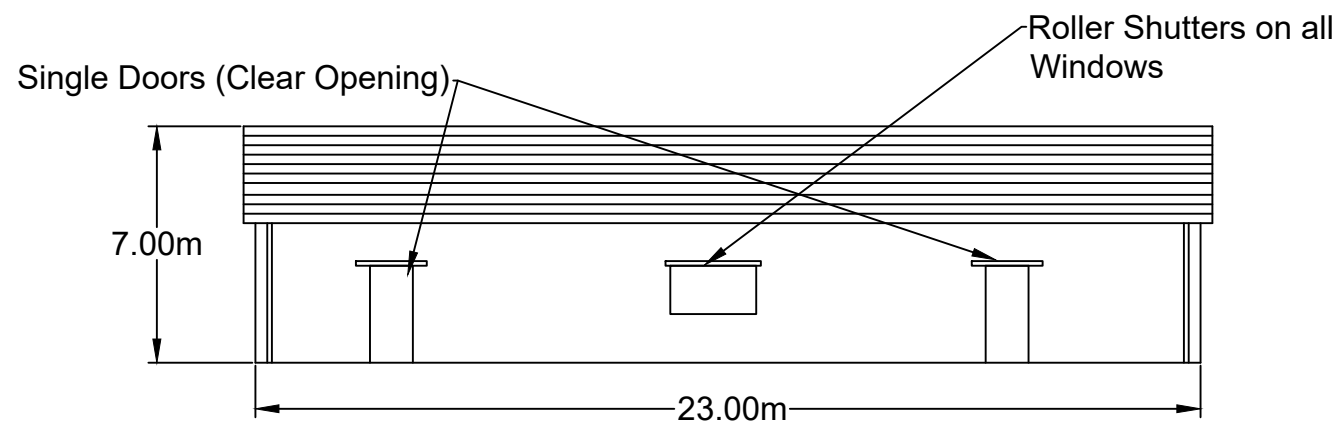


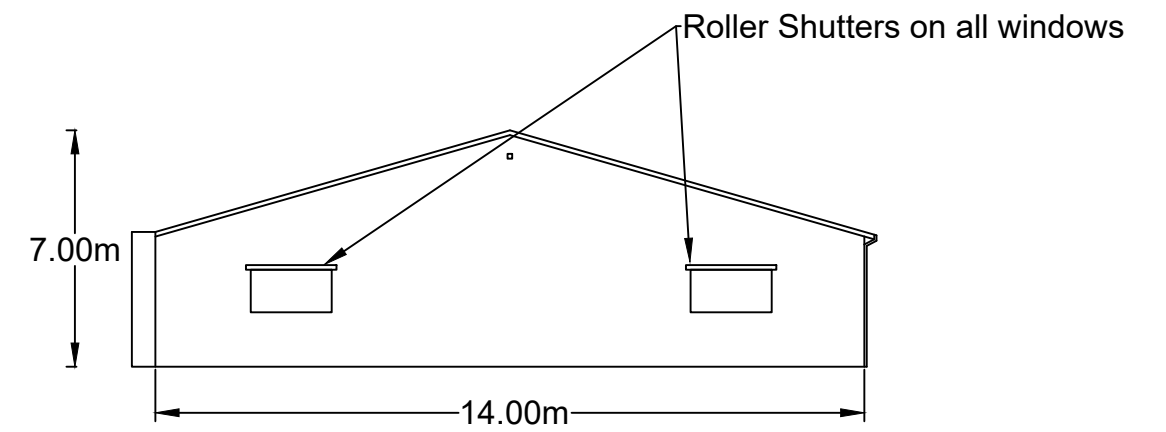
North Elevation



East Elevation



South Elevation



West Elevation



ScottishPower Renewables
320 St. Vincent Street,
Glasgow
G2 5AD

Email: info@scottishpowerrenewables.com
Web: www.scottishpowerrenewables.com

NOTES

1. This drawing is the property of ScottishPower Renewables UK Ltd. It is a confidential document and must not be copied, used, or its contents divulged without prior written consent.
2. DO NOT SCALE FROM DRAWING.

0	02/10/20	RH	FIRST ISSUE	KD	MS	Project No: 70068409
Rev.	Date	By	Description	Chk.	App.	© ScottishPower Renewables

Designed: RH	Drawn: RH	Checked: KD	Approved: SM	Project
Date: 02/10/20				Project
Scale @ A3: NTS				
Title				Drawing No:
TYPICAL CONTROL BUILDING				FIGURE-4.7

Drawing Status:	DRAFT
Rev.	0