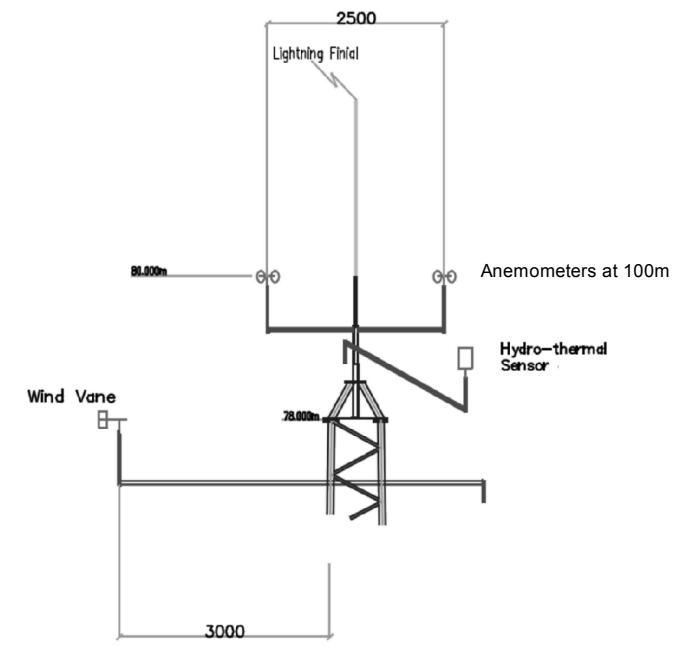
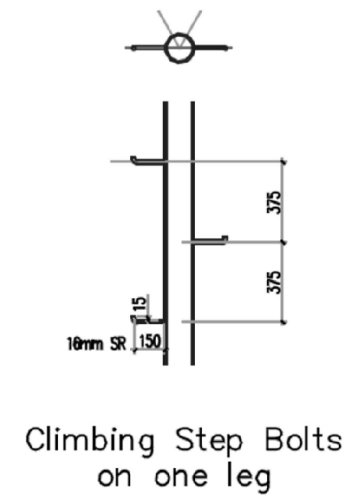
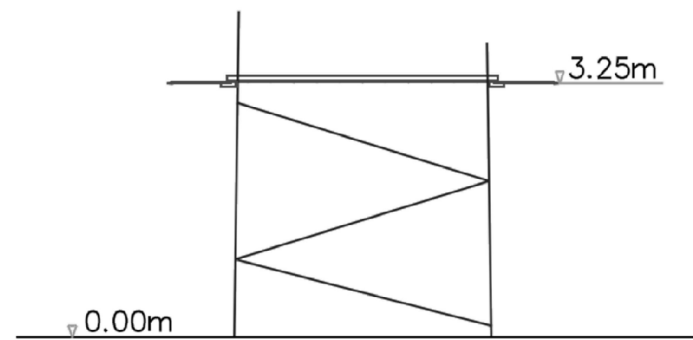


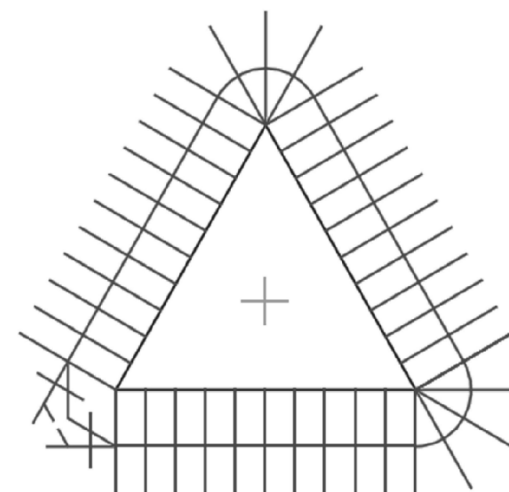
Typical Anemometer Support Booms



Tower Peak, Sliding Pole and Typical Booms



Climbing Step Bolts on one leg



Note:

The tower is triangular lattice construction with hollow circular sections throughout.

A lightning finial would be fitted to the tower top and each leg of the tower should be connected to an adequate earth system.

Do not scale this drawing.